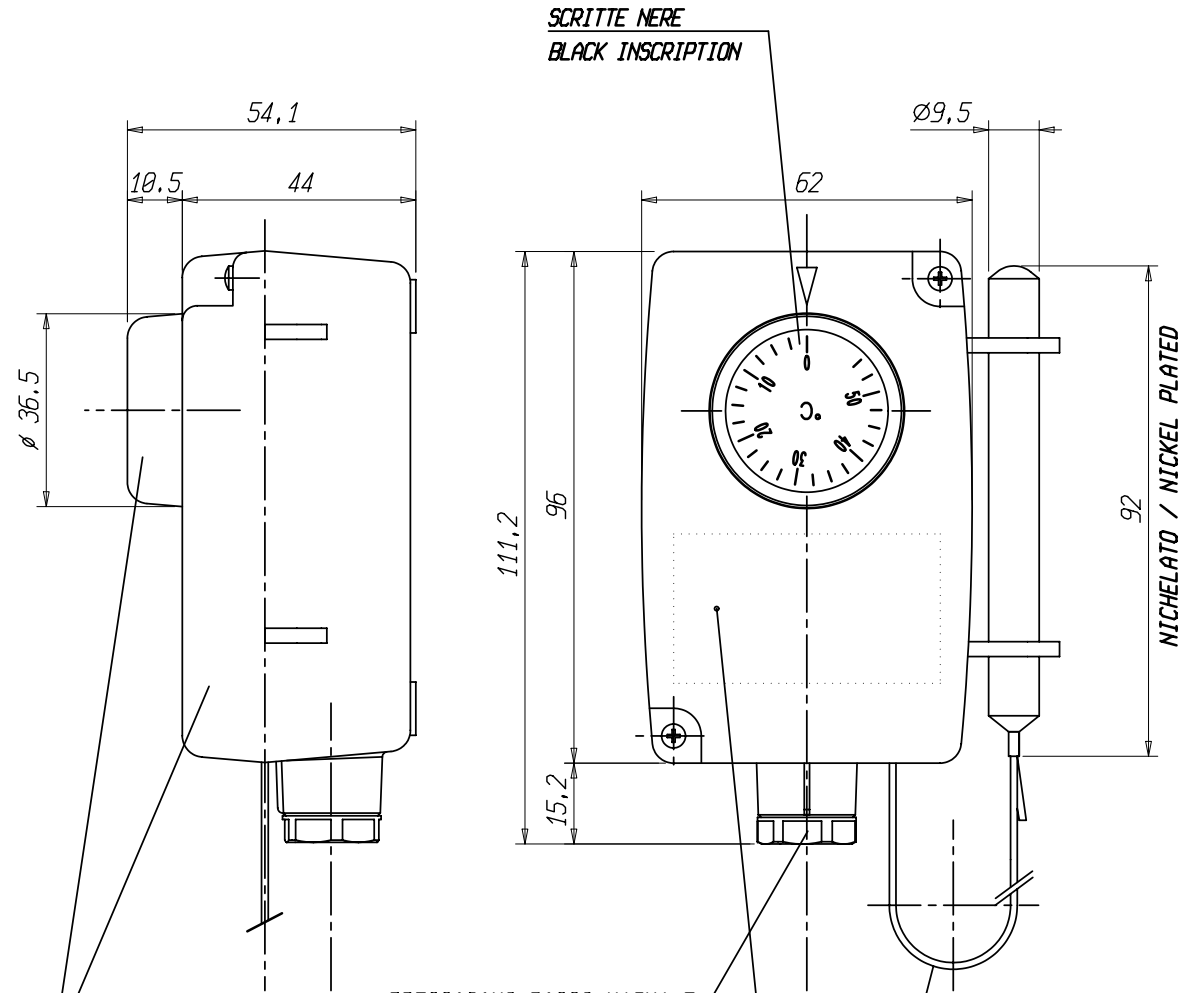


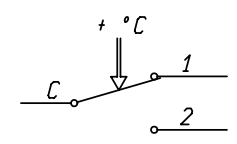
A
B
C
D
E
F



DATI TECNICI
TECHNICAL DATA

<u>TEMPERATURA REGOLABILE</u> <u>TEMPERATURE RANGE</u>	<u>θ / +55 ±2 °C</u>
<u>DIFFERENZIALE</u> <u>TEMPERATURE DIFFERENTIAL</u>	<u>Δ t 3 ±1 °k</u>
<u>PORTATA CONTATTI</u> <u>CONTACTS RATING</u>	<u>C1 16(2,5)A/250V~</u> <u>C2 6(2,5)A/250V~</u>
<u>MAX. TEMPERATURA TESTA</u> <u>MAX. HEAD TEMPERATURE</u>	<u>T 80 °C</u>
<u>MAX. TEMPERATURA BULBO</u> <u>MAX. BULB TEMPERATURE</u>	<u>T 60 °C</u>
<u>GRADO DI PROTEZIONE</u> <u>DEGREE OF PROTECTION</u>	<u>IP 44</u>
<u>OMOLOGAZIONI</u> <u>APPROVED BY</u>	

SCHEMA ELETTRICO
WIRING DIAGRAM



COLORE GRIGIO
GREY COLOUR

PRESSACAUDO PASSO M16X1.5
FAIRLEAD PITCH M16X1.5

ETICHETTA AUTOADESIVA SCHEMA
COD. 008902

L=160 NICHELATO
NICKEL-PLATED

Pos.	Codice	Denominazione	N. Pezzi	Note																																												
		Materiale																																														
		Trattamento																																														
		Peso grezzo	<small>Quote senza indicazione di tolleranza: precisione gruppo B Lunghezza lato minore</small>																																													
		Peso finito	<table border="1"> <tr> <td><small>a < 6</small></td> <td><small>a < 30</small></td> <td><small>a < 120</small></td> <td><small>a < 315</small></td> <td><small>a < 1000</small></td> <td><small>a < 2000</small></td> <td><small>2000</small></td> <td><small>da 0 a < 10</small></td> <td><small>da 10 a < 50</small></td> <td><small>da 50 a ≤ 100</small></td> <td><small>OLTRE 100</small></td> </tr> <tr> <td><small>A ±0.05</small></td> <td><small>±0.1</small></td> <td><small>±0.15</small></td> <td><small>±0.2</small></td> <td><small>±0.3</small></td> <td><small>±0.5</small></td> <td>-</td> <td></td> <td></td> <td></td> <td></td> </tr> <tr> <td><small>B ±0.1</small></td> <td><small>±0.2</small></td> <td><small>±0.3</small></td> <td><small>±0.5</small></td> <td><small>±0.8</small></td> <td><small>±1.2</small></td> <td><small>±2</small></td> <td><small>±1'</small></td> <td><small>±30'</small></td> <td><small>±20'</small></td> <td><small>±10'</small></td> </tr> <tr> <td><small>C ±0.2</small></td> <td><small>±0.5</small></td> <td><small>±0.8</small></td> <td><small>±1.2</small></td> <td><small>±2</small></td> <td><small>±3</small></td> <td><small>±4</small></td> <td></td> <td></td> <td></td> <td></td> </tr> </table>		<small>a < 6</small>	<small>a < 30</small>	<small>a < 120</small>	<small>a < 315</small>	<small>a < 1000</small>	<small>a < 2000</small>	<small>2000</small>	<small>da 0 a < 10</small>	<small>da 10 a < 50</small>	<small>da 50 a ≤ 100</small>	<small>OLTRE 100</small>	<small>A ±0.05</small>	<small>±0.1</small>	<small>±0.15</small>	<small>±0.2</small>	<small>±0.3</small>	<small>±0.5</small>	-					<small>B ±0.1</small>	<small>±0.2</small>	<small>±0.3</small>	<small>±0.5</small>	<small>±0.8</small>	<small>±1.2</small>	<small>±2</small>	<small>±1'</small>	<small>±30'</small>	<small>±20'</small>	<small>±10'</small>	<small>C ±0.2</small>	<small>±0.5</small>	<small>±0.8</small>	<small>±1.2</small>	<small>±2</small>	<small>±3</small>	<small>±4</small>				
<small>a < 6</small>	<small>a < 30</small>	<small>a < 120</small>	<small>a < 315</small>	<small>a < 1000</small>	<small>a < 2000</small>	<small>2000</small>	<small>da 0 a < 10</small>	<small>da 10 a < 50</small>	<small>da 50 a ≤ 100</small>	<small>OLTRE 100</small>																																						
<small>A ±0.05</small>	<small>±0.1</small>	<small>±0.15</small>	<small>±0.2</small>	<small>±0.3</small>	<small>±0.5</small>	-																																										
<small>B ±0.1</small>	<small>±0.2</small>	<small>±0.3</small>	<small>±0.5</small>	<small>±0.8</small>	<small>±1.2</small>	<small>±2</small>	<small>±1'</small>	<small>±30'</small>	<small>±20'</small>	<small>±10'</small>																																						
<small>C ±0.2</small>	<small>±0.5</small>	<small>±0.8</small>	<small>±1.2</small>	<small>±2</small>	<small>±3</small>	<small>±4</small>																																										
		Progetto N°																																														
		Disegn. L. ROGNONI	01/07/04	Verif. A. BONIFAZI																																												
		Data	07/03/05	01/07/04																																												
		Scale	1:1	Sost. il 543230																																												
		Mod. num.	20/04/05	Dis. 543230																																												
		Denominaz.	TERMOSTATO TC3 / THERMOSTAT TC3																																													
		A3	<small>Il presente disegno non può essere riprodotto, copiato o comunicato a terzi senza la nostra autorizzazione, come a termine di legge sui diritti d'autore</small>																																													

1 2 3 4 5 6 7 8